

## Aurora Series LED Street Light

### Optical Specs

LED Light Source	Lighting/Lumileds 5050 LEDs
LED Color Temperature	4000K (3000K, 5000K and 6000K optional)
Color Rendering Index	Ra>70(Ra>80 optional)
Light Distribution & LENS Kit	Type II or Type III

### Electrical Specs

Input	100-220-240-365V 50/60Hz
Power Factor	>0.95
Surge Protection	10KV(20KV optional)
LED Driver	MOSO LED Driver(Inventronics optional)
Dimming	W/O; 1-10V / DALI / Programmable / NEMA socket / ZHAGA socket
Insulation	Class I or Class II

### Other Specs

Operating Temperature & Humidity	-40℃~50℃/10~95RH
Storage Temperature	-20℃~45℃
IP Classification	IP66
Opening Driver Chamber	Tool-free
L80 Hours @ 25℃	>93,000 hours
Installation	side entry or post top with tilt angle- -15° -10° -5° 0° 5° 10° 15°

### Product Photo



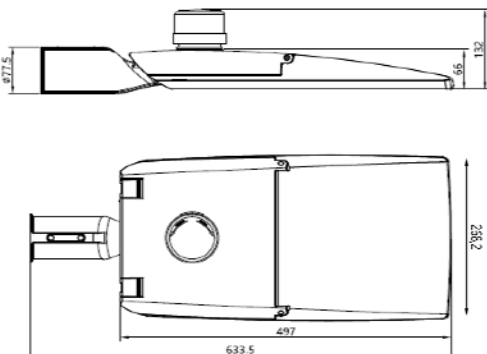
XL Version will have the Heat Sink on the back, rest of the lamp body will have the flat back

### Reference Project Photo

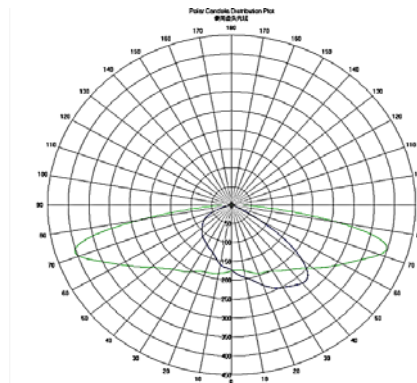


Model Number	Product	Nominal Power (W)	# of LEDs	Flux @ 5000K (lm)	Dimensions (mm)	Warranty
RL16S1015A	S	15	12	2,400	471*194*66	5 Years
RL16S1020A		20	18	3,200		
RL16S1030A		30	24	4,800		
RL16S1040A		40	24	6,400		
RL16M1050A		50	32	8,000		
RL16M1060A		60	32	9,600		
RL16M1070A		70	40	11,200		
RL16M1080A		80	48	12,800		
RL16L1090A	M	90	50	14,400	525*219*66	
RL16L1100A		100	50	16,000		
RL16L1110A		110	60	17,600		
RL16L1120A		120	60	19,200		
RL16L1130A		130	80	20,800		
RL16L1140A		140	80	22,400		
RL16L1150A	L	150	88	24,000	632*262*66	
RL16L1180A		180	88	28,800		
RL16L1220A		220	110	35,200		
RL16L1240A		240	130	38,400		
RL16L1280A	XL	280	182	44,800	738*306*89	
RL16L1300A		300	182	48,000		

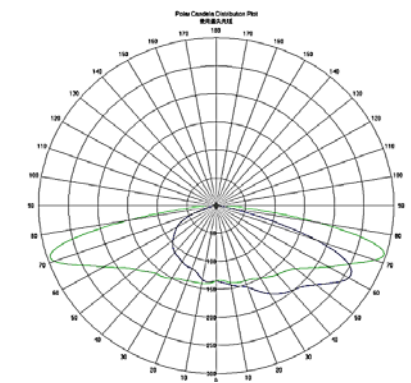
### Product Dimension



### Photometric



Type II



Type III