

Aurora Series LED Street Light

Optical Specs

LED Light Source	Lighting/Lumileds 5050 LEDs
LED Color Temperature	4000K (3000K, 5000K and 6000K optional)
Color Rendering Index	Ra>70(Ra>80 optional)
Light Distribution & LENS Kit	Type II or Type III

Electrical Specs

Input	100-220-240-365V 50/60Hz
Power Factor	>0.95
Surge Protection	10KV(20KV optional)
LED Driver	MOSO LED Driver(Inventronics optional)
Dimming	W/O; 1-10V / DALI / Programmable / NEMA socket / ZHAGA socket
Insulation	Class I or Class II

Other Specs

Operating Temperature & Humidity	-40℃~50℃/10~95RH
Storage Temperature	-20℃~45℃
IP Classification	IP66
Opening Driver Chamber	Tool-free
L80 Hours @ 25℃	>93,000 hours
Installation	side entry or post top with tilt angle- -15° -10° -5° 0° 5° 10° 15°

Product Photo



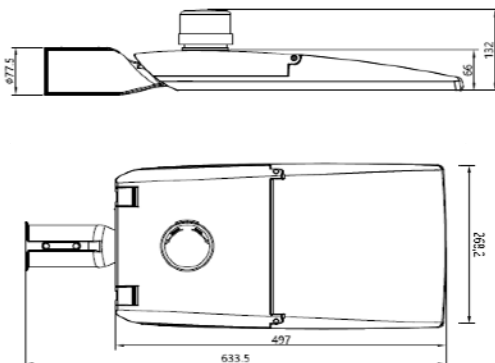
XL Version will have the Heat Sink on the back, rest of the lamp body will have the flat back

Reference Project Photo

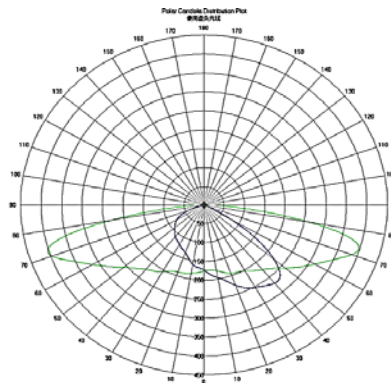


Model Number	Product	Nominal Power (W)	# of LEDs	Flux @ 5000K (lm)	Dimensions (mm)	Warranty
RL16S1015B	S	15	16	2,400	471*194*66	5 Years
RL16S1020B		20	24	3,200		
RL16S1030B		30	24	4,800		
RL16S1040B		40	32	6,400		
RL16M1050B		50	40	8,000		
RL16M1060B		60	40	9,600		
RL16M1070B		70	40	11,200		
RL16M1080B		80	48	12,800		
RL16L1090B	M	90	48	14,400	525*219*66	
RL16L1100B		100	56	16,000		
RL16L1110B		110	64	17,600		
RL16L1120B		120	72	19,200		
RL16L1130B	L	130	80	20,800	632*262*66	
RL16L1140B		140	88	22,400		
RL16L1150B		150	88	24,000		
RL16L1180B		180	104	28,800		
RL16L1220B		220	136	35,200		
RL16L1240B		240	136	38,400		
RL16L1280B	XL	280	168	44,800	738*306*89	
RL16L1300B		300	192	48,000		

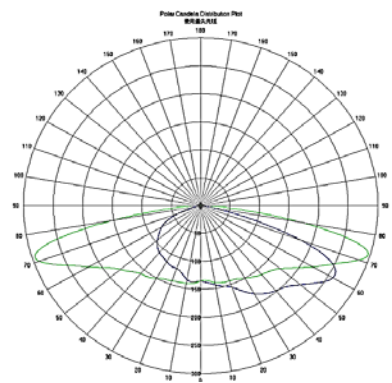
Product Dimension



Photometric



Type II



Type III